

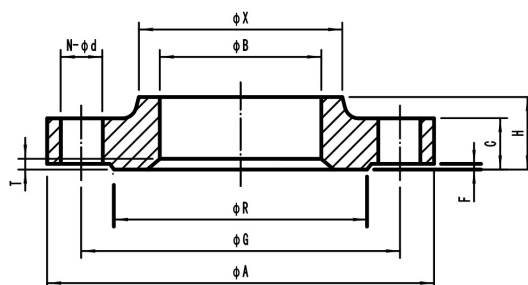
Solid Slip On Flanges

Pn10

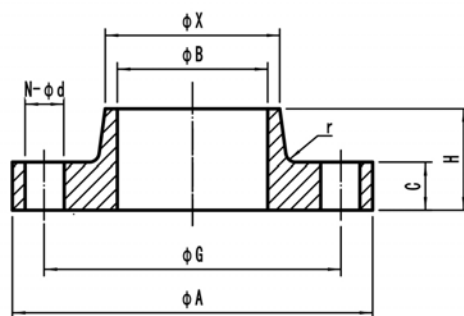
16Bar

20Bar

Material: CuNi 90/10
CuNi 70/30



Outside diameter of pipe		DIN 86033											
		Pn10									Drilling		Theo. weight
nominal inch	actual mm	øA mm	H mm	C mm	øX mm	øR mm	øB mm	F mm	T mm	øG mm	N bolt holes	ød mm	Kg/piece
0.375	16	90	18	12	26	40	16.2	2		60	4	14	0.52
0.5	20	95	18	12	30	45	20.2	2		65	4	14	0.57
0.75	25	105	18	12	35	58	25.2	2		75	4	14	0.71
1	30	115	18	12	40	68	30.2	2		85	4	14	0.86
1.25	38	140	20	14	49	78	38.25	2	Not Applicable	100	4	18	1.47
1.5	44.5	150	20	14	56	88	44.75	3		110	4	18	1.6
2	57	165	22	16	69	102	57.3	3		125	4	18	2.2
2.5	76.1	185	22	16	88	122	76.3	3		145	4	18	2.66
3	88.9	200	24	18	101	138	89.4	3		160	8	18	3.32
4	108	220	28	20	120	158	108.4	5		180	8	18	4.31
5	133	250	28	20	146	188	133.65	5	7	210	8	18	5.37
6	159	285	30	22	172	212	159.65	5	7	240	8	23	6.37
7	193.7	315	32	22	209	242	195	5	7	270	8	23	7.22
8	219.1	340	32	24	234	268	220	5	7	295	8	23	9.12
10	267	395	34	26	284	320	268.2	6	7	350	12	23	12.1
12	323.9	445	36	26	343	370	325.35	6	7	400	12	23	13.7
14	368	505	38	28	389	430	369.35	6	7	460	16	23	19.3
16	419.1	565	40	28	442	482	420.5	6	7	515	16	27	23.2
18	457.2	615	42	28	482	530	458.5	6	7	565	20	27	27.9
20	508	670	47	31	535	585	509.5	7	8	620	20	27	35
24	610	780	49	31	640	685	612	8	8	725	20	30	42.9



Outside diameter of pipe		EEMUA 145									
		16&20Bar									Theo. weight
nominal inch	actual mm	øA mm	H mm	C mm	øX mm	øR mm	r mm	øG mm	N bolt holes	ød mm	Kg/piece
0.5	16	89	20	14	23	16.07	4	60.3	4	15.9	1.15
0.75	25	98	24	16	32	25.08	4	69.8	4	15.9	1.2
1	30	108	24	16	47	30.08	4	79.4	4	15.9	1.3
1.25	38	117	26	17	51	38.1	6	88.9	4	15.9	1.7
1.5	44.5	127	26	20	61	44.6	6	98.4	4	15.9	1.8
2	57	152	28	25	73	57.23	6	120.6	4	19	2.9
2.5	76.1	178	32	27	91	76.33	6	139.7	4	19	4.3
3	88.9	190	34	27	105	89.18	6	152.4	4	19	4.4
4	108	229	40	27	135	108.38	8	190.5	8	19	7.3

Shanghai Shihang Copper Nickel Pipe Fittings Co., Ltd.

TEL:86-21-58050989 FAX:86-21-68291168 E-mail:sales@shshihang.com Website:www.shshihang.com

