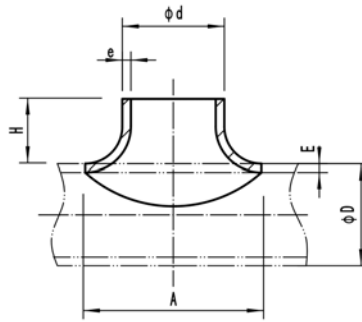


Saddles With Equal Or Reduced Branch

10Bar

14Bar

Material: CuNi 90/10
CuNi 70/30



Outside diameter of pipe						DIN 86087												
ØD x ød		ØD x ød				10Bar			Centre to face		Theoretical weight	14Bar		Centre to face		Theoretical weight		
nominal	x	actual	E	e	H	A	Kg/piece	E	e	H	A	Kg/piece	E	e	H	A	Kg/piece	
inch		mm	mm	mm	mm	mm		mm	mm	mm	mm		mm	mm	mm	mm		
0.5	x	0.5	20	x	20	1	1	20	32	0.05	1	1	20	32	0.05			
0.75	x	0.5	25	x	20	1.5	1	20	40	0.05	1.5	1	20	40	0.05			
0.75	x	0.75	25	x	25	1.5	1.5	22	40	0.06	1.5	1.5	22	40	0.06			
1	x	0.75	30	x	25	1.5	1.5	22	40	0.06	1.5	1.5	22	40	0.06			
1	x	1	30	x	30	1.5	1.5	30	50	0.1	1.5	1.5	30	50	0.1			
1.25	x	1	38	x	30	1.5	1.5	30	50	0.1	1.5	1.5	30	50	0.1			
1.25	x	1.25	38	x	38	1.5	1.5	35	64	0.11	1.5	1.5	35	64	0.11			
1.5	x	1.25	44.5	x	38	1.5	1.5	35	64	0.14	1.5	1.5	35	64	0.14			
1.5	x	1.5	44.5	x	44.5	1.5	1.5	35	74	0.15	1.5	1.5	35	74	0.15			
2	x	1.25	57	x	38	1.5	1.5	35	64	0.15	1.5	1.5	35	64	0.15			
2	x	1.5	57	x	44.5	1.5	1.5	35	74	0.17	1.5	1.5	35	74	0.17			
2	x	2	57	x	57	1.5	1.5	40	97	0.25	1.5	1.5	40	97	0.25			
2.5	x	1.25	76.1	x	38	2	1.5	35	64	0.3	2	1.5	35	64	0.3			
2.5	x	1.5	76.1	x	44.5	2	1.5	35	74	0.34	2	1.5	35	74	0.34			
2.5	x	2	76.1	x	57	2	1.5	40	97	0.48	2	1.5	40	97	0.48			
2.5	x	2.5	76.1	x	76.1	2	2	50	126	0.52	2	2	50	126	0.52			
3	x	1.25	88.9	x	38	2	1.5	35	64	0.36	2	1.5	35	64	0.36			
3	x	1.5	88.9	x	44.5	2	1.5	35	74	0.44	2	1.5	35	74	0.44			
3	x	2	88.9	x	57	2	1.5	40	97	0.5	2	1.5	40	97	0.5			
3	x	2.5	88.9	x	76.1	2	2	50	126	0.56	2	2	50	126	0.56			
3	x	3	88.9	x	88.9	2	2	55	149	0.76	2.5	2.5	55	149	0.95			
3	x	1.25	88.9	x	38	2.5	1.5	35	64	0.45	2.5	1.5	35	64	0.45			
3	x	1.5	88.9	x	44.5	2.5	1.5	35	74	0.55	2.5	1.5	35	74	0.55			
3	x	2	88.9	x	57	2.5	1.5	40	97	0.62	2.5	1.5	40	97	0.62			
3	x	2.5	88.9	x	76.1	2.5	2	50	126	0.7	2.5	2	50	126	0.7			
4	x	1.5	108	x	44.5	2.5	1.5	35	74	0.32	2.5	1.5	35	74	0.32			
4	x	2	108	x	57	2.5	1.5	40	97	0.4	2.5	1.5	40	97	0.4			
4	x	2.5	108	x	76.1	2.5	2	50	126	0.65	2.5	2	50	126	0.65			
4	x	3	108	x	88.9	2.5	2	55	149	0.79	2.5	2	55	149	0.79			
4	x	4	108	x	108	2.5	2.5	75	188	1.3	2.5	2.5	75	188	1.3			
5	x	2	133	x	57	2.5	1.5	40	97	0.4	3	1.5	40	97	0.48			
5	x	2.5	133	x	76.1	2.5	2	50	126	0.8	3	2	50	126	0.96			
5	x	3	133	x	88.9	2.5	2	55	149	1	3	2.5	55	149	1.2			
5	x	4	133	x	108	2.5	2.5	75	188	1.2	3	2.5	75	188	1.44			
5	x	5	133	x	133	2.5	2.5	85	233	1.7	3	3	85	233	2.04			
6	x	2.5	159	x	76.1	2.5	2	50	126	0.65	3	2	50	126	0.78			
6	x	3	159	x	88.9	2.5	2	55	149	1	3	2.5	55	149	1.2			
6	x	4	159	x	108	2.5	2.5	75	188	1.2	3	2.5	75	188	1.44			
6	x	5	159	x	133	2.5	2.5	85	233	2	3	3	85	233	2.4			
6	x	6	159	x	159	2.5	2.5	95	279	2.6	3	3	95	279	3.12			
7	x	2.5	193.7	x	76.1	2.5	2	50	126	0.95	3.5	2.5	50	126	1.33			
7	x	3	193.7	x	88.9	2.5	2	55	149	1.3	3.5	2.5	55	149	1.82			
7	x	4	193.7	x	108	2.5	2.5	75	188	1.4	3.5	2.5	75	188	1.96			
7	x	5	193.7	x	133	2.5	2.5	85	233	1.9	3.5	3	85	233	2.66			
7	x	6	193.7	x	159	2.5	2.5	95	279	2.5	3.5	3	95	279	3.5			
7	x	7	193.7	x	193.7	2.5	2.5	110	334	3.2	3.5	3.5	110	334	4.48			

Pipe Fittings



Shanghai Shihang Copper Nickel Pipe Fittings Co., Ltd.

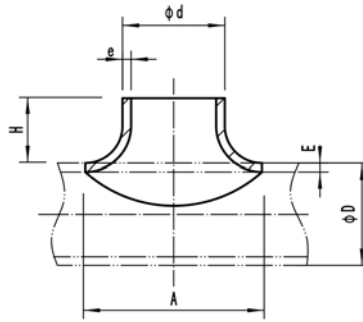
TEL:86-21-58050989 FAX:86-21-68291168 E-mail:sales@shshihang.com Website:www.shshihang.com

Saddles With Equal Or Reduced Branch

10Bar

14Bar

Material: CuNi 90/10
CuNi 70/30



Outside diameter of pipe						DIN 86087									
						10Bar					14Bar				
ØD x ød		ØD x ød				Wall thickness		Centre to face		Theoretical weight Kg/piece	Wall thickness		Centre to face		Theoretical weight Kg/piece
nominal inch		actual mm				E mm	e mm	H mm	A mm		E mm	e mm	H mm	A mm	
8	x	3	219.1	x	88.9	3	2	55	149	1.3	3.5	2.5	55	149	1.52
8	x	4	219.1	x	108	3	2.5	75	188	1.8	3.5	2.5	75	188	2.1
8	x	5	219.1	x	133	3	2.5	85	233	2.7	3.5	3	85	233	3.15
8	x	6	219.1	x	159	3	2.5	95	279	3.8	3.5	3	95	279	4.43
8	x	7	219.1	x	193.7	3	2.5	110	334	4.5	3.5	3.5	110	334	5.25
8	x	8	219.1	x	219.1	3	3	125	379	5.7	3.5	3.5	125	379	6.65
10	x	4	267	x	108	3	2.5	75	188	1.8	4	2.5	75	188	2.4
10	x	5	267	x	133	3	2.5	85	233	2.3	4	3	85	233	3.06
10	x	6	267	x	159	3	2.5	95	279	3.7	4	3	95	279	4.93
10	x	7	267	x	193.7	3	2.5	110	334	4.7	4	3.5	110	334	6.27
10	x	8	267	x	219.1	3	3	125	379	6.1	4	3.5	125	379	8.13
10	x	10	267	x	267	3	3	155	447	8.7	4	4	155	447	11.6
12	x	5	323.9	x	133	4	2.5	85	233	2.6	5	3	85	233	3.25
12	x	6	323.9	x	159	4	2.5	95	279	3.8	5	3	95	279	4.75
12	x	7	323.9	x	193.7	4	2.5	110	334	4.9	5	3.5	110	334	6.2
12	x	8	323.9	x	219.1	4	3	125	379	7.7	5	3.5	125	379	9.6
12	x	10	323.9	x	267	4	3	155	447	10	5	4	155	447	12.5
12	x	12	323.9	x	323.9	4	4	185	560	13	5	5	185	560	16.25
14	x	6	368	x	159	4	2.5	95	279	3.85	5.5	3	95	279	5.3
14	x	7	368	x	193.7	4	2.5	110	334	4.2	5.5	3.5	110	334	5.8
14	x	8	368	x	219.1	4	3	125	379	4.35	5.5	3.5	125	379	6
14	x	10	368	x	267	4	3	155	447	7.3	5.5	4	155	447	10
14	x	12	368	x	323.9	4	4	185	560	9.45	5.5	5	185	560	13
14	x	14	368	x	368	4	4	200	613	12.35	5.5	5.5	200	613	17
16	x	8	419.1	x	219.1	4	3	125	379	4.35	6	3.5	125	379	6.5
16	x	10	419.1	x	267	4	3	155	447	6.65	6	4	155	447	10
16	x	12	419.1	x	323.9	4	4	185	560	9.35	6	5	185	560	14
16	x	14	419.1	x	368	4	4	200	613	12	6	5.5	200	613	18
16	x	16	419.1	x	419.1	4	4	225	680	17.35	6	6	225	680	26
18	x	10	457.2	x	267	4	3	155	447	6.3	6	4	155	447	9.45
18	x	12	457.2	x	323.9	4	4	185	560	8	6	5	185	560	12
18	x	14	457.2	x	368	4	4	200	613	9.7	6	5.5	200	613	14.6
18	x	16	457.2	x	419.1	4	4	225	680	14.85	6	6	225	680	22.3
18	x	18	457.2	x	457.2	4	4	250	800	21.7	6	6	250	800	32.6
20	x	12	508	x	323.9	4.5	4	185	560	9	6.5	5	185	560	13
20	x	14	508	x	368	4.5	4	200	613	10.8	6.5	5.5	200	613	15.6
20	x	16	508	x	419.1	4.5	4	225	680	16.8	6.5	6	225	680	24.3
20	x	18	508	x	457.2	4.5	4	250	800	22.8	6.5	6	250	800	32.95
20	x	20	508	x	508	4.5	4.5	275	880	28.8	6.5	6.5	275	880	41.6
24	x	14	610	x	368	5	4	200	613	11.1	8	5.5	200	613	17.77
24	x	16	610	x	419.1	5	4	225	680	17.25	8	6	225	680	27.55
24	x	18	610	x	457.2	5	4	250	800	22.8	8	6	250	800	36.45
24	x	20	610	x	508	5	4.5	275	880	26.7	8	6.5	275	880	42.65
24	x	24	610	x	610	5	5	300	1020	47.2	8	8	300	1020	75.5

Pipe Fittings



Shanghai Shihang Copper Nickel Pipe Fittings Co., Ltd.