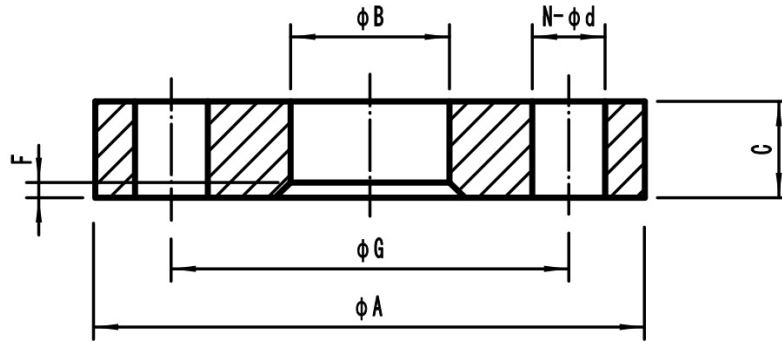


Composite Weld Neck Flanges-Outer Flange

Pn10 150Lbs

Material: Carbon Steel A105



Outside diameter of pipe		DIN 86037								EEMUA 145							
		Pn10								150Lbs							
ØD	ØA	C	ØB	F	Drilling			Theo.	ØA	C	ØB	F	Drilling			Theo.	
					ØG	N	Ød	weight					ØG	N	Ød	weight	
nominal	actual	mm	mm	mm	mm	mm	bolt holes	mm	Kg/piece	mm	mm	mm	mm	mm	bolt holes	mm	Kg/piece
inch	mm																
0.5	16	-	-	-	-	-	-	-	-	89	14	19	2	60.3	4	15.9	0.6
0.75	25	105	14	28	3	75	4	14	0.8	98	14	28	3	69.8	4	15.9	0.8
1	30	115	16	33	4	85	4	14	1.1	108	14	33	3	79.4	4	15.9	0.9
1.25	38	140	16	42	4	100	4	18	1.65	117	14	41	3	88.9	4	15.9	1.1
1.5	44.5	150	16	50	4	110	4	18	1.85	127	14	48	3	98.4	4	15.9	1.2
2	57	165	16	62	5	125	4	18	2.2	152	18	62	3	120.6	4	19	2.1
2.5	76.1	185	16	81	5	145	4	18	2.65	178	18	81	3	139.7	4	19	2.6
3	88.9	200	18	94	5	160	8	18	3.3	190	19	94	3	152.4	4	19	2.9
4	108	220	18	113	5	180	8	18	3.65	229	24	113	3	190.5	8	19	5.9
5	133	250	18	138	5	210	8	18	4.55	-	-	-	-	-	-	-	-
6	159	285	18	164	5	240	8	22	5.6	279	27	164	4	241.3	8	22.2	8.4
7	193.7	315	22	200	5	270	8	22	7.5	-	-	-	-	-	-	-	-
8	219.1	340	20	225	5	295	8	22	7.45	343	31	225	5	298.4	8	22.2	12.35
10	267	395	22	273	5	350	12	22	10.3	406	38	273	5	362	12	25.4	19.7
12	323.9	445	24	331	7	400	12	22	12	483	41	330	7	431.8	12	25.4	32.2
14	368	505	24	375	7	460	16	22	16	533	45	374	7	476.2	12	28.6	38.2
16	419.1	565	26	426	7	515	16	26	20	597	51	426	7	539.8	16	28.6	52.15
18	457.2	615	28	465	7	565	20	26	25	635	52	465	7	577.8	16	31.8	54.05
20	508	670	30	517	7	620	20	26	31	698	58	517	7	635	20	31.8	73.2
24	610	780	32	618	9	725	20	30	40	813	71	618	9	749.3	20	34.9	114.25

Flanges

