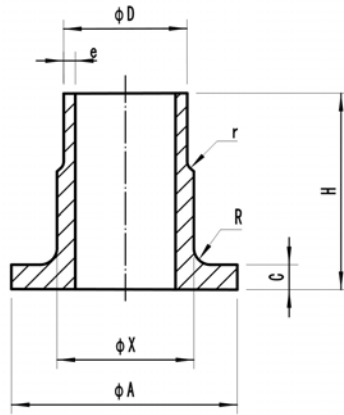


Composite Weld Neck Flanges-Short Inner Flange

16Bar 20Bar

Material: CuNi 90/10
CuNi 70/30



Outside diameter of pipe		EEMUA 145													
		16Bar							20Bar						
nominal	actual	Wall	φA	H	C	φX	R	Theo.	Wall	φA	H	C	φX	R	Theo.
		thickness						weight	thickness						weight
		e						Kg/piece	e						Kg/piece
inch	mm	mm	mm	mm	mm	mm	mm		mm	mm	mm	mm	mm	mm	
0.5	16	2	40	35	4	18	2	0.07	2	40	35	4	18	2	0.07
0.75	25	2	50	40	5	27	3	0.16	2	50	40	5	27	3	0.16
1	30	2.5	60	40	5	32	4	0.2	2.5	60	40	5	32	4	0.2
1.25	38	2.5	70	40	5	40	4	0.25	2.5	70	40	5	40	4	0.25
1.5	44.5	2.5	80	45	6	46.5	4	0.42	2.5	80	45	6	46.5	4	0.42
2	57	2.5	99	45	6	59	5	0.5	2.5	99	45	6	59	5	0.5
2.5	76.1	2.5	120	45	6	78	5	0.67	2.5	120	45	6	78	5	0.67
3	88.9	2.5	130	50	7	91	5	0.86	2.5	130	50	7	91	5	0.86
4	108	3	158	50	7	110	5	1.18	3	158	50	7	110	5	1.2
6	159	3	212	50	9	161.5	5	2.2	3.5	212	50	9	161.5	5	2.2
8	219.1	4	270	50	9	222	5	3.2	4.5	270	50	9	222	5	3.3
10	267	4.5	320	50	9	270	5	3.9	5.5	320	50	9	270	5	4.2
12	323.9	5.5	370	50	11	327	7	6.5	7	370	50	11	327	7	6.8
14	368	6.5	430	50	11	371	7	7.45	8	430	50	11	371	7	8.2
16	419.1	7	482	50	12	422	7	9.2	9	482	50	12	422	7	10.35
18	457.2	8	530	50	12	460	7	11.45	9.5	530	50	12	460	7	12.4
20	508	8.5	585	50	12	511	7	13.4	11	585	50	12	511	7	15.1
24	610	10.5	685	60	14	613	9	20.75	13	685	60	14	613	9	23.25
28	711	12	800	60	19	719	9	33.35	15	800	60	19	719	9	36.8
32	813	13.5	905	60	20.5	821	9	42.25	17	905	60	20.5	821	9	46.85
36	914	15.5	1000	60	22	922	9	49.35	19	1000	60	22	922	9	54.55

Flanges



Shanghai Shihang Copper Nickel Pipe Fittings Co., Ltd.

TEL:86-21-58050989 FAX:86-21-68291168 E-mail:sales@shshihang.com Website:www.shshihang.com