

# End Caps

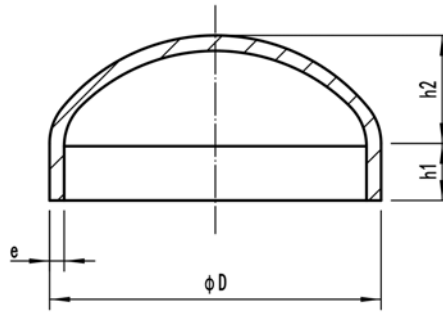
10Bar

14Bar

16Bar

20Bar

Material: CuNi 90/10  
CuNi 70/30



Outside dia- meter of pipe		DIN 28011								EEMUA 146					
		10Bar				14Bar				16Bar			20Bar		
∅D		Wall thickness	Heigh		Theoretical weight	Wall thickness	Heigh		Theoretical weight	Wall thickness	Heigh	Theoretical weight	Wall thickness	Heigh	Theoretical weight
nominal	actual	e	h1	h2	Kg/piece	e	h1	h2	Kg/piece	e	h1 + h2	Kg/piece	e	h1 + h2	Kg/piece
inch	mm	mm	mm	mm		mm	mm	mm		mm	mm		mm	mm	
1	30	1.5	14	5	0.07	1.5	14	5	0.07	-	-	-	-	-	-
1.25	38	1.5	14	6.5	0.1	1.5	14	6.5	0.1	-	-	-	-	-	-
1.5	44.5	1.5	14	8	0.12	1.5	14	8	0.12	2.5	19.6	0.13	2.5	19.6	0.13
2	57	1.5	18	10	0.18	1.5	18	10	0.18	2.5	22	0.19	2.5	22	0.19
2.5	76.1	2	18	14	0.31	2	18	14	0.31	2.5	25.7	0.31	2.5	25.7	0.31
3	88.9	2	20	16	0.39	2.5	20	16	0.53	2.5	28.2	0.4	2.5	28.2	0.4
4	108	2.5	20	20	0.75	2.5	20	20	0.75	3	31.7	0.75	3	31.7	0.75
5	133	2.5	20	24	0.95	3	20	24	1.2	-	-	-	-	-	-
6	159	2.5	20	29	1.35	3	20	29	1.6	3	41	1.5	3.5	44	1.75
7	193.7	2.5	20	36	1.95	3.5	20	36	2.4	-	-	-	-	-	-
8	219.1	3	20	41	2.6	3.5	20	41	3.1	4	55	2.75	4.5	60	3.1
10	267	3	20	50	3.85	4	20	50	4.85	4.5	69	4.9	5.5	69	5.96
12	323.9	4	20	61	6.6	5	20	61	8.2	5.5	80	9.17	7	85	11.68
14	368	4	20	69	8.8	5.5	20	69	12.6	6.5	93	14.05	8	103	17.3
16	419.1	4	20	79	12.2	6	25	79	17.4	7	102	18.6	9	112	23.9
18	457.2	4	20	87	12.55	6	25	87	17.9	8	119	22.75	9.5	119	27
20	508	4.5	20	96	18.8	6.5	25	96	26.35	8.5	129	31.7	11	139	41
24	610	5	20	115	26.7	8	35	115	49.6	10.5	148	55.16	13	163	68.3

