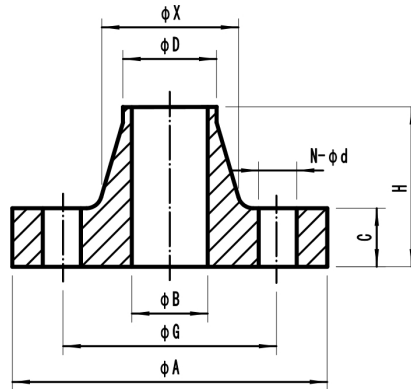


Solid Welding Neck Flanges-ANSI B16.5

150Lbs

Material: CuNi 90/10
CuNi 70/30



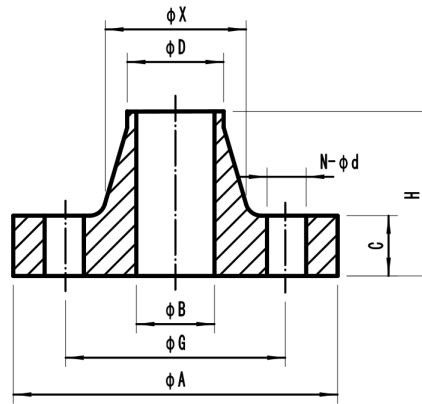
Outside diameter of pipe		ANSI B16.5								
		150Lbs								
nominal inch	actual mm	øA mm	H mm	C mm	øX mm	øR mm	Drilling			Theo. weight Kg/piece
							øG mm	N bolt holes	ød mm	
0.5	20	90	47.6	11.1	30.2	34.9	60.3	4	15.9	0.68
0.75	25	100	52.4	12.7	38.1	42.9	69.8	4	15.9	0.91
1	30	110	55.6	14.3	49.2	50.8	79.4	4	15.9	1.25
1.25	38	115	57.1	15.9	58.7	63.5	88.9	4	15.9	1.58
1.5	44.5	125	61.9	17.5	65.1	73	98.4	4	15.9	2.05
2	57	150	63.5	19.1	77.8	92.1	120.6	4	19	3.05
2.5	76.1	180	69.8	22.2	90.5	104.8	139.7	4	19	5.1
3	88.9	190	69.8	23.8	107.9	127	152.4	4	19	5.2
4	108	230	76.2	23.8	134.9	157.2	190.5	8	19	7.9
5	133	255	88.9	23.8	163.5	185.7	215.9	8	22.2	10.1
6	159	280	88.9	25.4	192.1	215.9	241.3	8	23	12.2
8	219.1	345	101.6	28.6	246.1	269.9	298.4	8	23	20
10	267	405	101.6	30.2	304.8	323.8	361.9	12	25.4	27
12	323.9	485	114.3	31.8	365.1	381	431.8	12	25.4	42
14	368	535	127	34.9	400	425.1	476.2	12	28.6	53
16	419.1	595	127	36.5	457.2	482.6	539.7	16	28.6	66
18	457.2	635	139.7	39.7	504.8	533.4	577.8	16	31.7	72
20	508	700	144.5	42.9	558.8	584.2	635	20	31.7	87
24	610	815	152.4	47.6	663.6	692.1	749.3	20	34.9	134

Flanges

Solid Welding Neck Flanges

300Lbs

Material: CuNi 90/10
CuNi 70/30



Outside diameter of pipe		ANSI B16.5								
		300Lbs								
nominal inch	actual mm	øA mm	H mm	C mm	øX mm	øR mm	Drilling			Theo. weight Kg/piece
							øG mm	N bolt holes	ød mm	
0.5	20	95	52.4	14.3	38.1	34.9	66.7	4	15.9	1.72
0.75	25	115	57.1	15.9	47.6	42.9	82.5	4	19	2.06
1	30	125	61.9	17.5	54	50.8	88.9	4	19	2.29
1.25	38	135	65.1	19	63.5	63.5	98.4	4	19	2.86
1.5	44.5	155	68.3	20.6	69.8	73	114.3	4	22.2	4.01
2	57	165	69.8	22.2	84.1	92.1	127	8	19	4.58
2.5	76.1	190	76.2	25.4	100	104.8	149.2	8	22.2	5.73
3	88.9	210	79.4	28.6	117.5	127	168.3	8	22.2	8.02
4	108	255	85.7	31.8	146.1	157.2	200	8	22.2	12.6
5	133	280	98.4	34.9	177.8	185.7	234.9	8	22.2	17.9
6	159	320	98.4	36.5	206.4	215.9	269.9	12	22.2	21.76
8	219.1	380	111.1	41.3	260.4	269.9	330.2	12	25.4	34.35
10	267	445	117.5	47.6	320.7	323.8	387.3	16	28.6	46.95
12	323.9	520	130.2	50.8	374.6	381	450.8	16	31.7	70.99
14	368	585	142.9	54	425.4	425.1	514.3	20	31.7	96.18
16	419.1	650	146.1	57.2	482.6	482.6	571.5	20	34.9	127.1
18	457.2	710	158.7	60.3	533.3	533.4	628.6	24	34.9	158.01
20	508	775	161.9	63.5	587.4	584.2	685.8	24	34.9	195.8
24	610	915	168.3	69.8	701.7	692.1	812.8	24	41.3	283

Flanges



Shanghai Shihang Copper Nickel Pipe Fittings Co., Ltd.

TEL:86-21-58050989 FAX:86-21-68291168 E-mail:sales@shshihang.com Website:www.shshihang.com