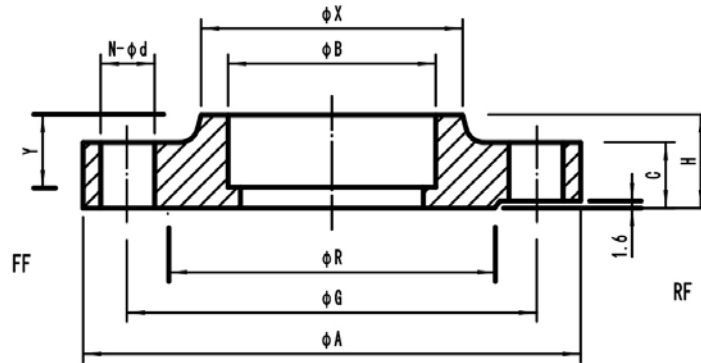


Solid Socket Welding Flanges

150Lbs 300Lbs

Material: CuNi 90/10
CuNi 70/30



Outside diameter of pipe		ANSI B16.5										
		150Lbs										
nominal inch	actual mm	ϕA mm	H mm	C mm	ϕX mm	ϕR mm	ϕB mm	Y mm	Drilling			Theo. weight Kg/piece
									ϕG mm	N bolt holes	ϕd mm	
0.5	20	90	15.9	11.1	30.2	34.9	20.2	9.5	60.3	4	15.9	0.8
0.75	25	100	15.9	12.7	38.1	42.9	25.2	11.1	69.8	4	15.9	1.1
1	30	110	17.5	14.3	49.2	50.8	30.2	12.7	79.4	4	15.9	1.2
1.25	38	115	20.6	15.9	58.7	63.5	38.3	14.3	88.9	4	15.9	1.5
1.5	44.5	125	22.2	17.5	65.1	73	44.8	15.9	98.4	4	15.9	1.6
2	57	150	25.5	19.1	77.8	92.1	57.4	17.5	120.6	4	19	2.7
2.5	76.1	180	28.6	22.2	90.5	104.8	76.5	19	139.7	4	19	4.1
3	88.9	190	30.2	23.8	107.9	127	89.4	20.6	152.4	4	19	4.1
4	108	230	33.3	23.8	134.9	157.2	108.5	23.8	190.5	8	19	7

Outside diameter of pipe		ANSI B16.5										
		300Lbs										
nominal inch	actual mm	ϕA mm	H mm	C mm	ϕX mm	ϕR mm	ϕB mm	Y mm	Drilling			Theo. weight Kg/piece
									ϕG mm	N bolt holes	ϕd mm	
0.5	20	95	22.2	14.3	38.1	34.9	20.2	9.5	66.7	4	15.9	0.9
0.75	25	115	25.4	15.9	47.6	42.9	25.2	11.1	82.5	4	19	1.4
1	30	125	27	17.5	54	50.8	30.2	12.7	88.9	4	19	1.7
1.25	38	135	27	19	63.5	63.5	38.3	14.3	98.4	4	19	2
1.5	44.5	155	30.2	20.6	69.8	73	44.8	15.9	114.3	4	22.2	3
2	57	165	33.3	22.2	84.1	92.1	57.4	17.5	127	8	19	3.4
2.5	76.1	190	38.1	25.4	100	104.8	76.5	19	149.2	8	22.2	5.1
3	88.9	210	42.9	28.6	117.5	127	89.4	20.6	168.3	8	22.2	6.8
4	108	255	47.6	31.8	146	157.2	108.5	23.8	200	8	22.2	11.3

Flanges



Shanghai Shihang Copper Nickel Pipe Fittings Co., Ltd.

TEL:86-21-58050989 FAX:86-21-68291168 E-mail:sales@shshihang.com Website:www.shshihang.com