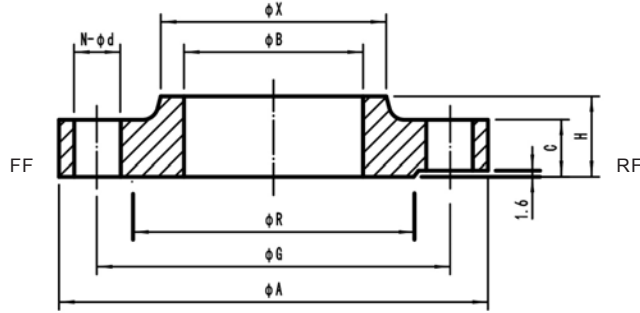


# Solid Slip On Flanges

150Lbs

Material: CuNi 90/10  
CuNi 70/30



Outside diameter of pipe		ANSI B16.5									
		150Lbs									
ØD	ØA	H	C	ØX	ØR	ØB	Drilling			Theo.	
							ØG	N	Ød	weight	
nominal	actual	mm	mm	mm	mm	mm	mm	mm	bolt	mm	Kg/piece
inch	mm								holes		
0.5	20	90	15.9	11.1	30.2	34.9	20.2	60.3	4	15.9	0.9
0.75	25	100	15.9	12.7	38.1	42.9	25.2	69.8	4	15.9	1.1
1	30	110	17.5	14.3	49.2	50.8	30.2	79.4	4	15.9	1.2
1.25	38	115	20.6	15.9	58.7	63.5	38.3	88.9	4	15.9	1.5
1.5	44.5	125	22.2	17.5	65.1	73	44.8	98.4	4	15.9	1.6
2	57	150	25.4	19.1	77.8	92.1	57.4	120.6	4	19	2.7
2.5	76.1	180	28.6	22.2	90.5	104.8	76.5	139.7	4	19	4.1
3	88.9	190	30.2	23.8	107.9	127	89.4	152.4	4	19	4.1
4	108	230	33.3	23.8	134.9	157.2	108.5	190.5	8	19	7
5	133	255	36.5	23.8	163.5	185.7	133.8	215.9	8	22.2	8
6	159	280	39.7	25.4	192.1	215.9	159.8	241.3	8	22.2	9.9
8	219.1	345	44.4	28.6	246.1	269.9	220.3	298.4	8	22.2	15.7
10	267	405	49.2	30.2	304.8	323.8	268.4	361.9	12	25.4	22.8
12	323.9	485	55.6	31.8	365.1	381	325.4	431.8	12	25.4	33.9
14	368	535	57.1	34.9	400	425.1	369.5	476.2	12	28.6	45
16	419.1	595	63.5	36.5	457.2	482.6	420.5	539.7	16	28.6	49
18	457.2	635	68.3	39.7	504.8	533.4	458.7	577.8	16	31.7	63
20	508	700	73	42.9	558.8	584.2	509.5	635	20	31.7	81.5
24	610	815	82.5	47.6	663.6	692.1	611.5	749.3	20	34.9	105.55

Flanges



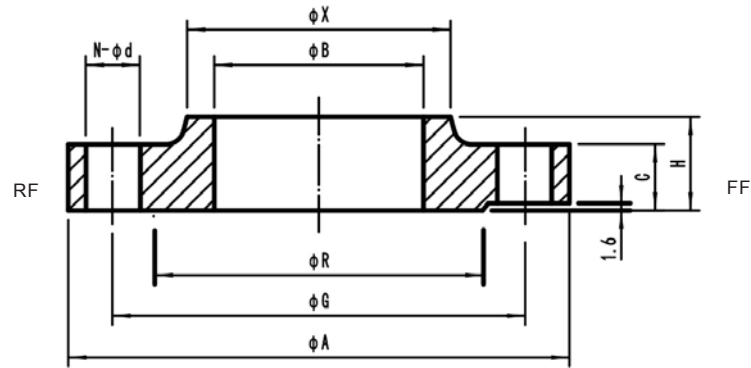
Shanghai Shihang Copper Nickel Pipe Fittings Co., Ltd.

TEL:86-21-58050989 FAX:86-21-68291168 E-mail:sales@shshihang.com Website:www.shshihang.com

# Solid Slip On Flanges

300Lbs

Material: CuNi 90/10  
CuNi 70/30



Outside diameter of pipe		ANSI B16.5									
		300Lbs									
nominal inch	actual mm	$\phi A$ mm	H mm	C mm	$\phi X$ mm	$\phi R$ mm	$\phi B$ mm	Drilling			Theo. weight Kg/piece
								$\phi G$ mm	N bolt holes	$\phi d$ mm	
0.5	20	95	22.2	14.3	38.1	34.9	20.2	66.7	4	15.9	0.9
0.75	25	115	25.4	15.9	47.6	42.9	25.2	82.5	4	19	1.4
1	30	125	27	17.5	54	50.8	30.2	88.9	4	19	1.7
1.25	38	135	27	19	63.5	63.5	38.3	98.4	4	19	2
1.5	44.5	155	30.2	20.6	69.8	73	44.8	114.3	4	22.2	3
2	57	165	33.3	22.2	84.1	92.1	57.4	127	8	19	3.4
2.5	76.1	190	38.1	25.4	100	104.8	76.5	149.2	8	22.2	5.1
3	88.9	210	42.9	28.6	117.5	127	89.4	168.3	8	22.2	6.8
4	108	255	47.6	31.8	146	157.2	108.5	200	8	22.2	11.3
5	133	280	50.8	34.9	177.8	185.7	133.8	234.9	8	22.2	14.2
6	159	320	52.4	36.5	206.4	215.9	159.8	269.9	12	22.2	18.3
8	219.1	380	61.9	41.3	260.3	269.9	220.3	330.2	12	25.4	28.2
10	267	445	66.7	47.6	320.7	323.8	268.4	387.3	16	28.6	39.5
12	323.9	520	73	50.8	374.6	381	325.4	450.8	16	31.7	57.7
14	368	585	76.2	54	425.4	425.1	369.5	514.3	20	31.7	80.6
16	419.1	650	82.5	57.2	482.6	482.6	420.5	571.5	20	34.9	102.1
18	457.2	710	88.9	60.3	533.4	533.4	458.7	628.5	24	34.9	125.2
20	508	775	95.2	63.5	587.4	584.2	509.5	685.8	24	34.9	154.7
24	610	915	106.4	69.8	701.7	692.1	611.5	812.8	24	41.3	240.65

Flanges